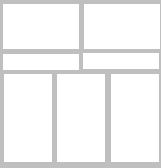


**MODEL 1036-48 ELEVATING & ROTATING AUTOPSY TABLE**

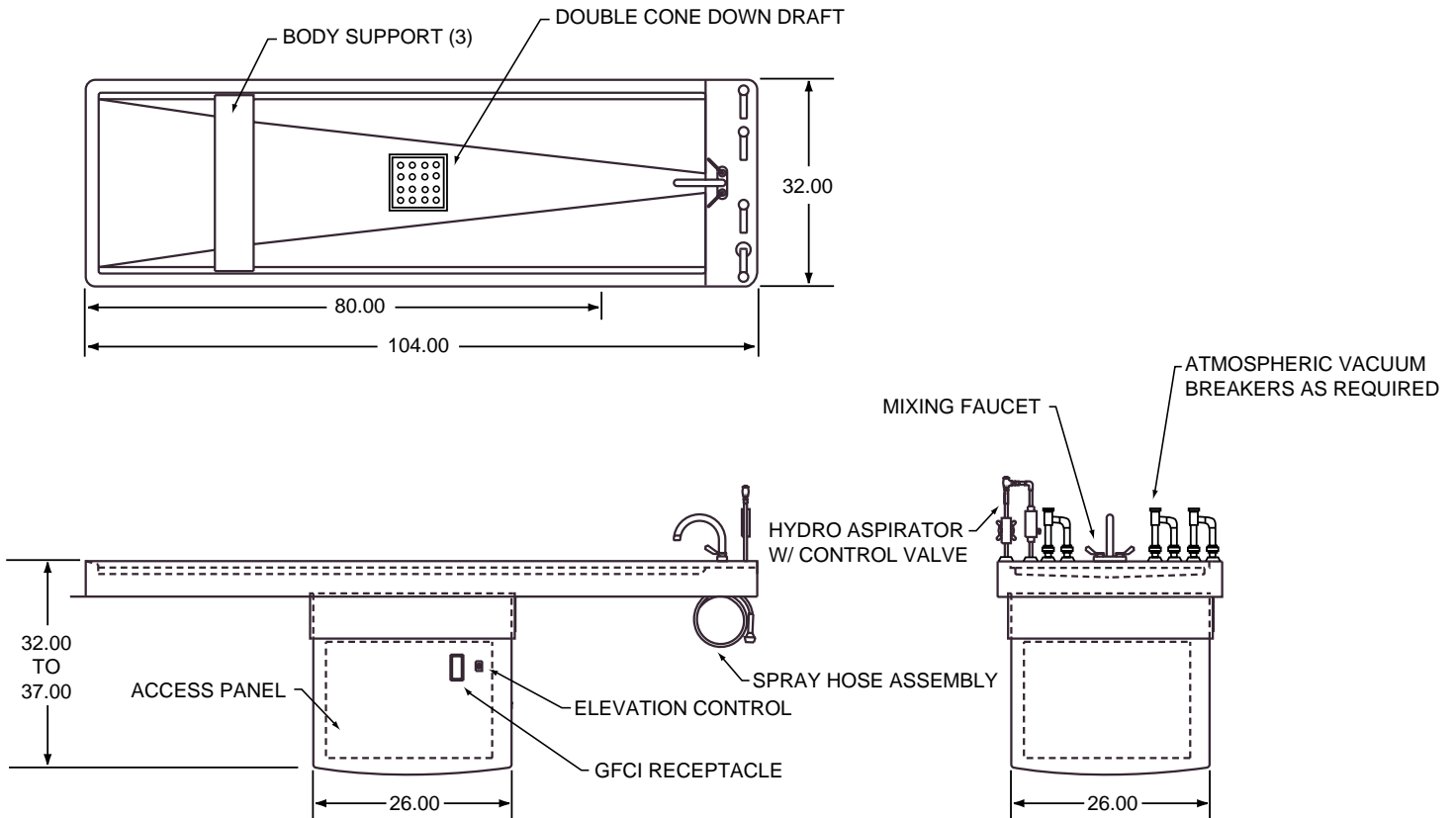


**STANDARD DESIGN FEATURES:**

- Size: 104 inches long x 32 inches wide
- Electro-mechanical height adjustment from 32 inches to 38 inches
- All Type 304 stainless steel construction. Tabletop and Base fabricated from 14 gauge material.
- All heliarc welded construction with large radius inside corners for easy cleaning. All welds are ground and polished to match adjoining surfaces.
- Top rotates manually 180 degrees in either direction and features a convenient swivel lock handle
- Mixing Faucet with gooseneck spout and wrist paddle handles
- Deluxe Hydro-Aspirator with Reverse Flow, Cold Water Control Valve and 10 feet of hose
- Hand Spray Hose Assembly with Cold Water Control Valve, Nozzle and 10 feet of hose
- Vacuum Breaker protection for all plumbing fixtures to prevent backflow of contaminated water
- Acoustical Coating to reduce metallic noise and prevent condensation
- GFCI waterproof duplex electrical receptacle
- (3) Solid or Perforation Stainless Steel Body Supports, 8 inches wide
- Rapid and positive drainage toward drain at center of table



**MODEL 1036-48 LAYOUT DRAWING and OPTIONAL FEATURES**



**OPTIONAL EQUIPMENT AND ACCESSORIES:**

- Post Mortem Scale with Scale Pole
- Table End Rinse with cold water control valve and vacuum breaker
- Gas / Air Cocks
- Double Cone Down Draft Assembly
- Emergency Eyewash Assembly
- Full Length Stainless Steel Body Supports
- Centimeter or inch markings
- Over-the-body Dissecting Tray
- Headrest