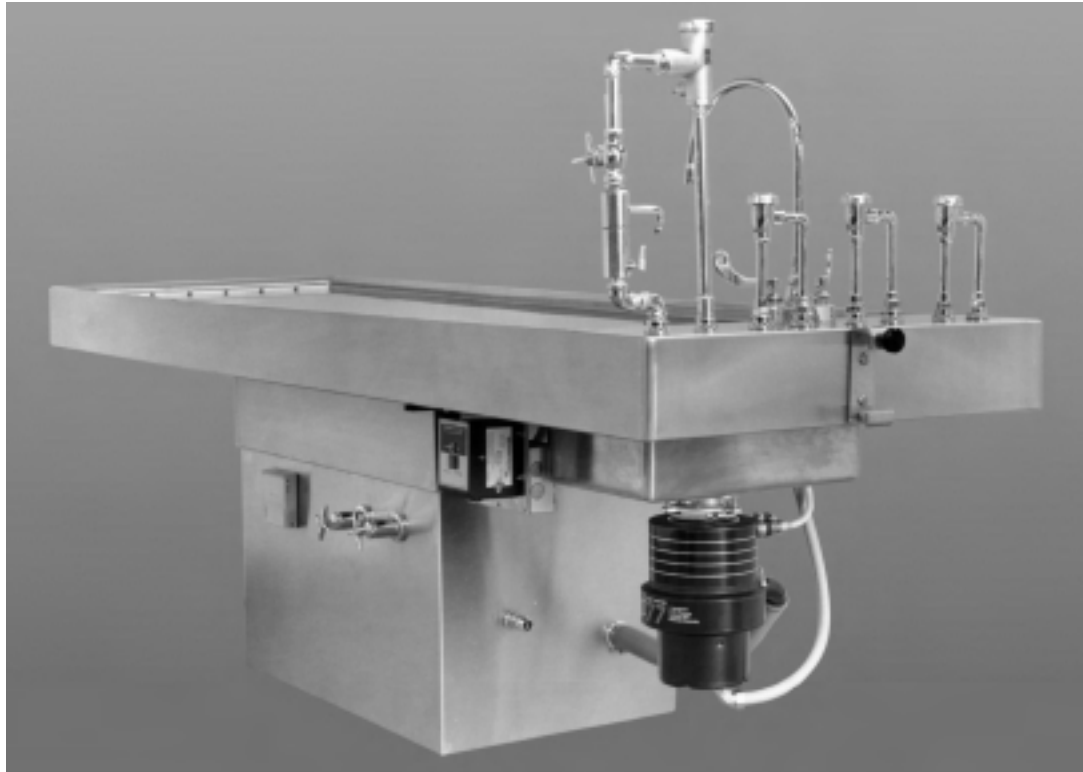
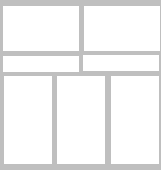


**MODEL 1036-45 ELEVATING PEDESTAL AUTOPSY TABLE**

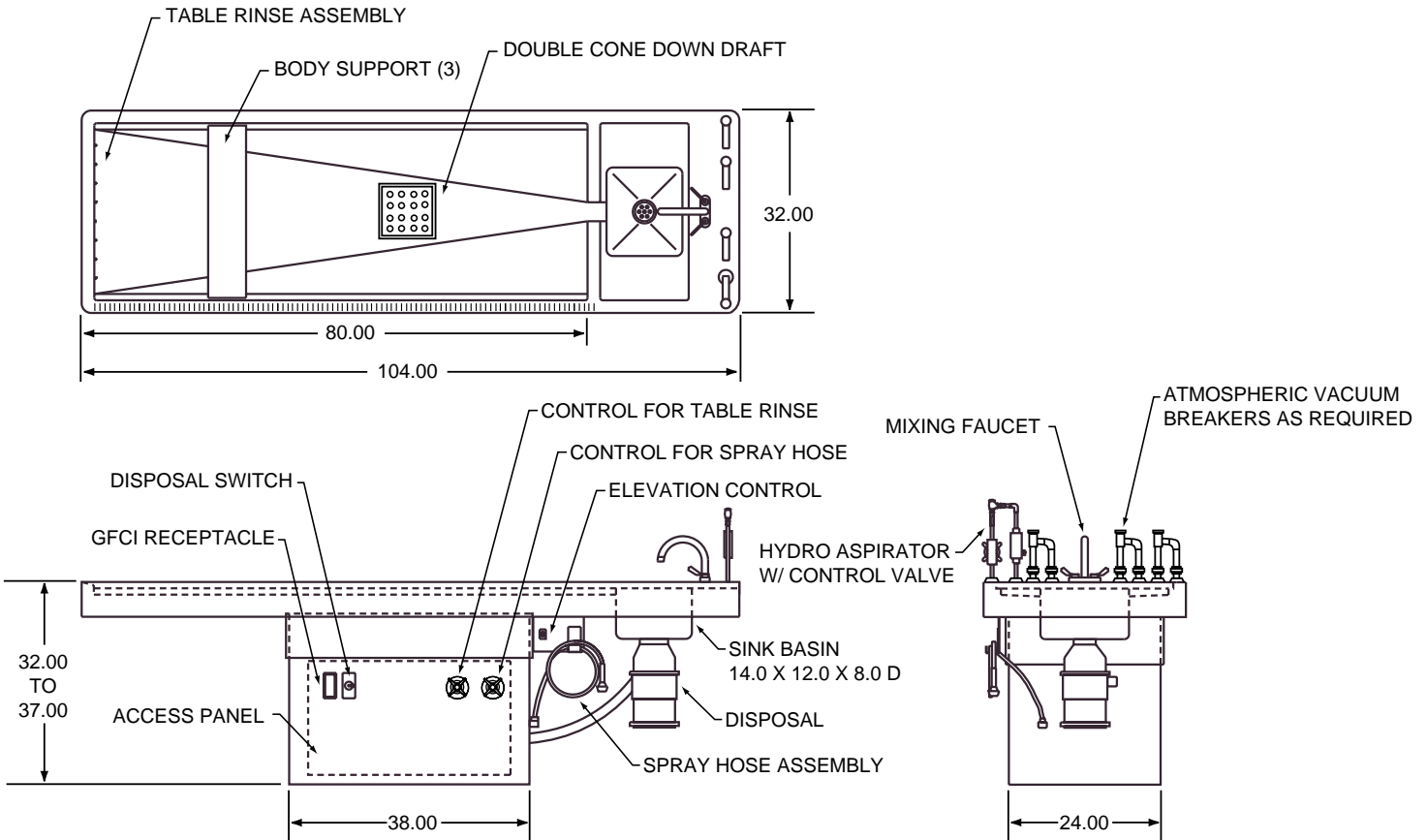


**STANDARD DESIGN FEATURES:**

- Standard Size: 32 inches wide x 104 inches long x 32 to 38 inches high
- All stainless steel construction
- Heliarc-welded seams and joints, ground and polished to match adjoining surfaces
- Radii on all inside and outside corners for easy cleaning
- Vertical Height Adjustment via hydraulic mechanical actuator
- Heavy-duty internal scissor lift stabilization
- Hydro-Aspirator with cold water control valve and vacuum breaker
- Spray Hose Assembly with cold water control valve, nozzle, 10 feet of flexible hose and vacuum breaker
- Mixing Faucet with gooseneck spout and wrist blade handles
- Heavy-duty 1/2hp commercial disposal with switch
- Large single compartment sink basin, 14 inches x 12 inches x 8 inches deep
- (3) Solid or Perforation Stainless Steel Body Supports, 8 inches wide
- Rapid and positive drainage
- Removable Access Panel
- Waterproof GFCI Electrical Outlet
- Plumbing and Electrical lines factory installed and require only single point connection at the project location



### MODEL 1036-45 LAYOUT DRAWING and OPTIONAL FEATURES



#### OPTIONAL EQUIPMENT AND ACCESSORIES:

- Heavy Duty Commercial Disposal (3/4, 1 or 2 hp)
- Post Mortem Scale with Scale Pole
- Double-Cone Down Draft Ventilation Assembly
- Table End Rinse with cold water control valve and vacuum breaker
- Gas / Air Cocks
- Emergency Eye Wash
- Full Length Stainless Steel Body Supports
- Centimeter or inch markings
- Over-the-body Dissecting Tray
- Headrest