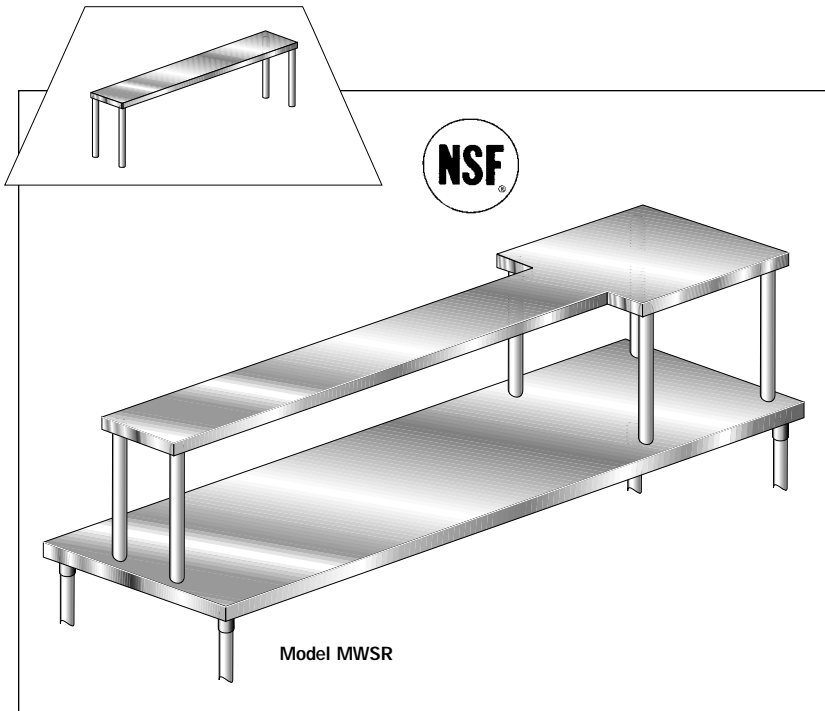




WALLSHELF

MW SERIES Microwave Shelf/WC SERIES Wall Cabinets

Item# _____ Project _____



Quantity 16GA 430
Model #

Microwave Shelf, Wall Mounted

— MW-2418
— MW-2424

Quantity 16GA 430
Micro on Left
Model #

16GA 430
Micro on Right
Model #

16GA 430
Micro in Center
Model #

Microwave Shelf, Table Mounted

— MWSL-1248	MWSR-1248	MWSC-1248
— MWSL-1260	MWSR-1260	MWSC-1260
— MWSL-1272	MWSR-1272	MWSC-1272
— MWSL-1284	MWSR-1284	MWSC-1284
— MWSL-1296	MWSR-1296	MWSC-1296
— MWSL-12120	MWSR-12120	MWSC-12120
— MWSL-12144	MWSR-12144	MWSC-12144

Quantity 16GA 430
No Doors
Model #

16GA 430
Sliding Doors
Model #

16GA 430
Hinged Doors
Model #

Wall Cabinets

— WOC-36	WSC-36	WHC-36
— WOC-48	WSC-48	WHC-48
— WOC-60	WSC-60	WHC-60
— WOC-72	WSC-72	WHC-72
— WOC-96	WSC-96	WHC-96

MW SERIES (TABLE MOUNTED MODELS)

MATERIAL

- Legs: 1½" O.D. 16 gauge stainless steel tubing (MWL, MSR, MWC series).
- Bracing: Galvanized "U" channels under micro-shelf section.

DESIGN FEATURES

- Top has 1½" lip on 4 sides with a 90 degree return.
- Easily mounted to wall studs (MW series).
- Legs mounted into custom *Aerolock* aluminum extrusions for extra strength (MWSL, MWSR, MWSC series).

CONSTRUCTION

- Top is polished to a #4 mill finish
- All overshelves shipped K.D.
- Wall Mounted Unit (MW) 18 gauge 430 construction, embossed for support.
- Shipped complete with 1½" rubber expander assembly (table mounted models).

WC SERIES

MATERIAL

- Body: 18 gauge 430 stainless steel.
- Shelves: Two each 18 gauge 430 series stainless steel.

DESIGN FEATURES

- All cabinets fully cartoned.
- Fully assembled—ready to use..
- Top is angled to create sanitary surface.

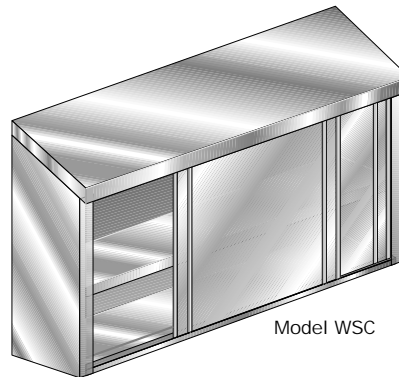
EXCLUSIVE AERO SAFETY EDGE

- Cabinets hemmed to eliminate cuts from rough edges.

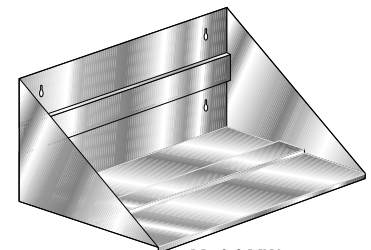
CONSTRUCTION

- Cabinet is polished to a #4 mill finish.

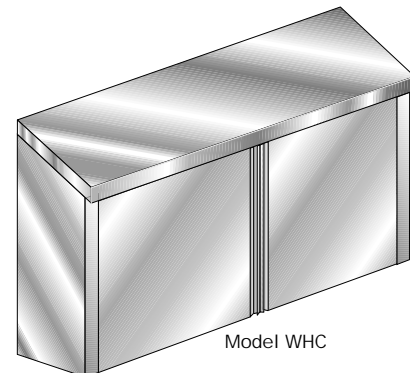
NOTE: Call for custom sizes and configurations.



Model WSC



Model MW



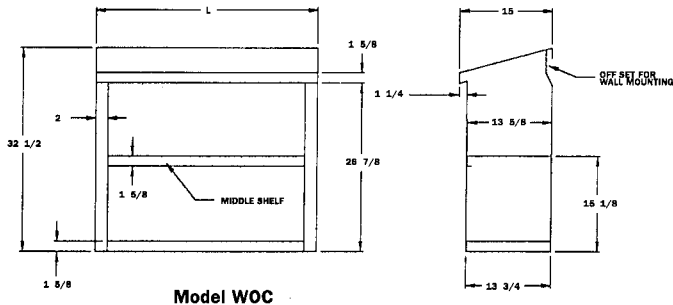
Model WHC

BUILT TO LAST A LIFETIME

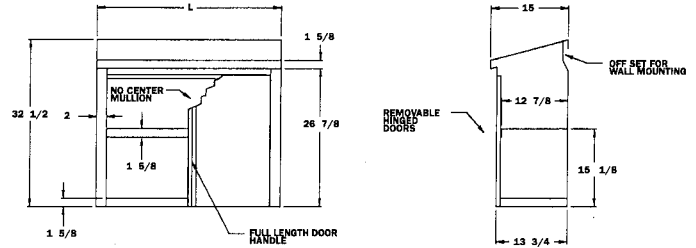


DIMENSIONAL SPECIFICATIONS

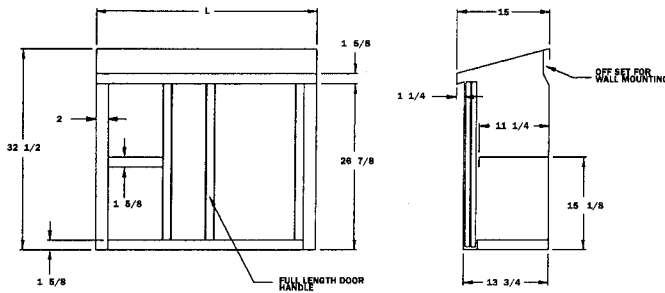
MW SERIES Microwave Shelf/WC SERIES Wall Cabinets



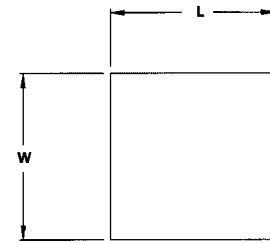
Model WOC



Model WHC



Model WSC



Model MW

SHELF Width	SHELF Length	16GA 430 Model #	Ship Weight	Cubic Feet
-------------	--------------	------------------	-------------	------------

Microwave Shelf, Wall Mounted

24	18	MW-2418	10	3
24	24	MW-2424	12	3

SHELF Width	SHELF Length	16GA 430 Micro on Left Model #	16GA 430 Micro on Right Model #	16GA 430 Micro in Center Model #	Ship Weight	Cubic Feet
-------------	--------------	--------------------------------	---------------------------------	----------------------------------	-------------	------------

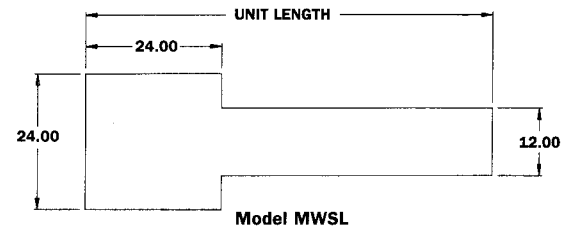
Microwave Shelf, Table Mounted

12	48	MWSL-1248	MWSR-1248	MWSC-1248	50	12
12	60	MWSL-1260	MWSR-1260	MWSC-1260	60	15
12	72	MWSL-1272	MWSR-1272	MWSC-1272	70	18
12	84	MWSL-1284	MWSR-1284	MWSC-1284	80	21
12	96	MWSL-1296	MWSR-1296	MWSC-1296	90	24
12	108	MWSL-12120	MWSR-12120	MWSC-12120	100	27
12	120	MWSL-12144	MWSR-12144	MWSC-12144	110	30

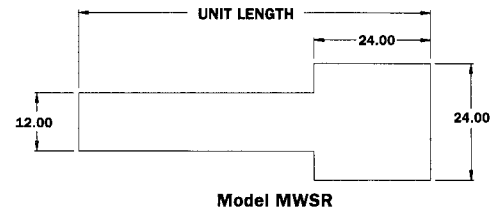
CABINET Width	CABINET Length	16GA 430 No Doors Model #	16GA 430 Sliding Doors Model #	16GA 430 Hinged Doors Model #	Ship Weight	Cubic Feet
---------------	----------------	---------------------------	--------------------------------	-------------------------------	-------------	------------

Wall Cabinets

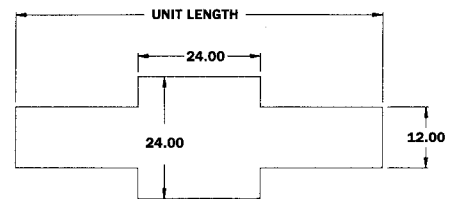
15	36	WOC-36	WSC-36	WHC-36	115	8
15	48	WOC-48	WSC-48	WHC-48	135	10
15	60	WOC-60	WSC-60	WHC-60	155	13
15	72	WOC-72	WSC-72	WHC-72	175	16
15	96	WOC-96	WSC-96	WHC-96	195	21



Model MWSL



Model MWSR



Model MWSC

All dimensions are typical (tol. ±1/2"). • For Accessories and Options see pages TS-5A, TS-5B.